

Item I(4) - Rocheport Trailside Lift Station Change Order #1

From Jesse Stephens <JStephens@bcrsd.com>

Date Fri 6/12/2026 6:07 AM

To Jesse Stephens <JStephens@bcrsd.com>

Dear Board of Trustees,

I'm seeking a motion to approve and execute Change Order #1 for the Rocheport Trailside Lift Station project. Please find the attached final change order for this project which reduces the original contract price from \$228,429.93 down to \$226,026.49. Please also find the attached supporting documentation for the project.



Jesse Stephens, P.E., Executive Director
Boone County Regional Sewer District (BCRSD)
1314 N. 7th St., Columbia, MO 65201
C: 573.239.4025 | O: 573.443.2774
e: jstephens@bcrsd.com | w: www.bcrsd.com

Date of Issuance:
 Owner: Boone County Regional Sewer District
 Contractor: Sublett Trucking & Excavating
 Engineer: LOR Engineering, LLC d/b/a Cochran
 Project: Rocheport Trailside Lift Station

Effective Date:
 Owner's Contract No.:
 Contractor's Project No.:
 Engineer's Project No.: 25-10224
 Contract Name:

The Contract is modified as follows upon execution of this Change Order:

Description: Deduction of (\$14,653.44) for two pumps under Bid Addition No. 2. The pumps submitted did not match the existing pumps. Addition of \$1,750.00 to rewire one existing pump. The pump chord was too short after the wetwell was raised. Addition of \$10,500.00 to purchase one new Barnes 4.5 HP (model 4SE4524L) pump.
 Attachments: This total change order equates to a contract deduction of (\$2,403.44).

(Updated Schedule required for any change in Contract Time)

CHANGE IN CONTRACT PRICE	CHANGE IN CONTRACT TIMES <i>[note changes in Milestones if applicable]</i>
Original Contract Price: \$ 228,429.93	Original Contract Times: Substantial Completion: <u>90</u> Ready for Final Payment: <u>90</u> days or dates
[Increase] (Decrease) from previously approved Change Orders No. <u> </u> to No. <u>1</u> : \$ (2,403.44)	[Increase] (Decrease) from previously approved Change Orders No. <u> </u> to No. <u>1</u> : Substantial Completion: <u>46</u> Ready for Final Payment: <u>46</u> days
Contract Price prior to this Change Order: \$ 228,429.93	Contract Times prior to this Change Order: Substantial Completion: <u>90</u> Ready for Final Payment: <u>90</u> days or dates
[Increase] (Decrease) of this Change Order: \$ (2,403.44)	[Increase] (Decrease) of this Change Order: Substantial Completion: <u>46</u> Ready for Final Payment: <u>46</u> days or dates
Contract Price incorporating this Change Order: \$ 226,026.49	Contract Times with all approved Change Orders: Substantial Completion: <u>136</u> Ready for Final Payment: <u>136</u> days or dates

RECOMMENDED:
 By: [Signature]
 Engineer (if required)
 Title: ENGINEER
 Date: 6/9/26

ACCEPTED:
 By: _____
 Owner (Authorized Signature)
 Title: _____
 Date: _____

ACCEPTED:
 By: [Signature]
 Contractor (Authorized Signature)
 Title: President
 Date: 06/09/26

Approved by Funding Agency (if applicable)

By: N/A Date: _____
 Title: _____

PROPOSAL

~THE PUMP SHOP~
MISSOURI MACHINERY & ENGINEERING COMPANY
 4981 Fyler Ave., ST. LOUIS, MO 63139
 TEL: (314) 231-9806, FX: (314) 231-7922

<small>PROPOSAL SUBMITTED TO</small> Sublett Excavating		<small>DATE</small> 6-9-2026	
<small>STREET</small> 5885 Rowland Rd.		<small>JOB NAME</small> 4.5HP Barnes Submersible Pump	
Harrisburg, MO 65256		<small>JOB LOCATION</small>	
<small>POINT OF CONTACT</small> Zachary Sublett	<small>DATE OF PLANS</small>	<small>PHONE</small> 573-808-5323	<small>FAX</small>
<small>PAYMENT</small> NET 30 DAYS	<small>SHIPMENT/ DELIVERY</small> 4-5 Weeks ARO	<small>Authorized</small> CRAIG MILLER, PUMP SYSTEMS CONSULTANT <small>Signature</small> _____ Note: This proposal may be Withdrawn by us if not accepted within <u> 30 </u> days.	

WE PROPOSE hereby to furnish material complete in accordance with specification and estimates below for:

**Qty (1) 4SE4524L Submersible Sewage Pump with a 4" Horizontal Discharge and 230V/1PH motor
 (See attached Specification Sheets)**

Price.....\$9,795.00

Please contact me immediately with any questions or concerns regarding the proposal.

**Craig Miller
 Pump System Consultant**

PRICE DOES NOT INCLUDE FREIGHT OR MISSOURI SALES TAX, IF APPLICABLE

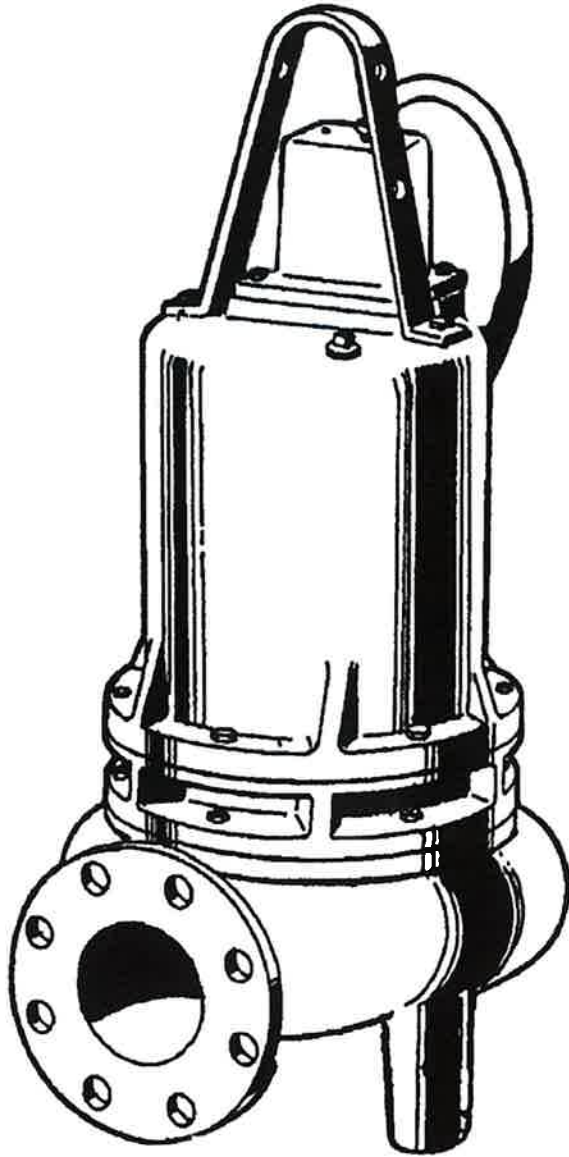
NOTE: Any work done beyond the scope described above will be quoted at our standard time and material rates, for approval of customer.

ACCEPTANCE OF PROPOSAL – The above prices, specifications and conditions are satisfactory and are hereby accepted. You are authorized to do the work as specified. Payment will be made as outlined above.

Signature: _____ Date: _____

4SE-L – 4.5 HP

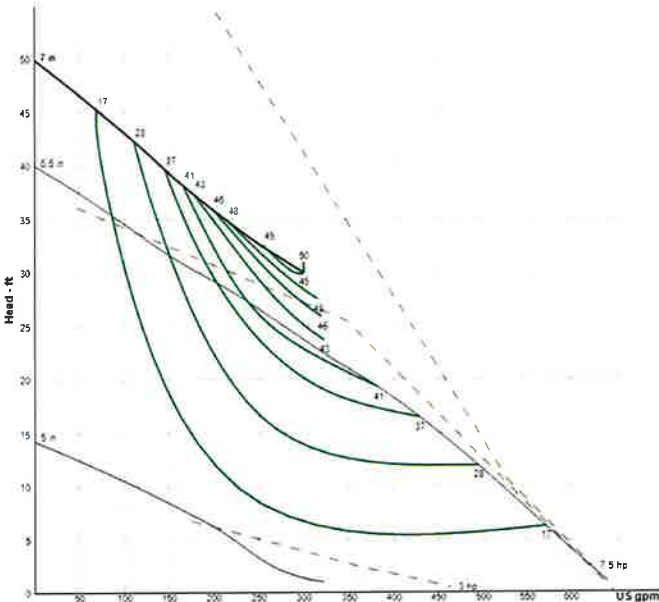
3" Spherical Solids Handling



Specifications

DISCHARGE:	4" 125lb., Horizontal flange
SPEED:	1750 RPM (Nominal)
IMPELLER:	<ul style="list-style-type: none"> • Design: 2 Vane, open with pump out vanes on back side, dynamically balanced, ISO G6.3 • Material: Cast iron ASTM A-48, class 30
CORD ENTRY:	40 ft. (12.1 m) Cord. Epoxy sealed housing with secondary pressure grommet for sealing and strain relief <ul style="list-style-type: none"> • Design: NEMA L- single phase, NEMA B - three phase torque curve, oil filled, squirrel cage induction • Winding: Class F, class H rated magnet wire • Service Factor: 1.15
MOTOR:	<ul style="list-style-type: none"> • Design: Double mechanical, oil filled pressure equalized reservoir • Material: Carbon/Ceramic/Buna-N
SEAL:	
LIQUID TEMPERATURE:	104°F (40°C) Continuous
VOLUTE:	Cast iron ASTM A-48, class 30
MOTOR HOUSING	Cast iron ASTM A-48, class 30
SEAL PLATE:	Cast iron ASTM A-48, class 30
SHAFT:	416 Stainless steel
SQUARE RINGS:	Buna-N
HARDWARE:	300 Series stainless steel
PAINT:	Air dry enamel (epoxy optional)
	Upper Bearing: <ul style="list-style-type: none"> • Design: Single row, ball, oil lubricated • Load: Radial
UPPER BEARING:	Lower Bearing: <ul style="list-style-type: none"> • Design: Single row, ball, oil lubricated • Load: Radial
DIAPHRAGM	Buna-N
SINGLE PHASE	Capacitor start/capacitor run. Requires Barnes starter/panel which includes capacitors and overload protection
THREE PHASE:	Dual voltage motor 230/460/575. Requires overload protection to be included in control panel, VFD suitable
MOISTURE SENSOR	Normally open (N/O), requires relay in control panel
TEMPERATURE SENSOR:	Normally Closed (N/C), Requires relay in control panel. For three phase units ONLY

Curves



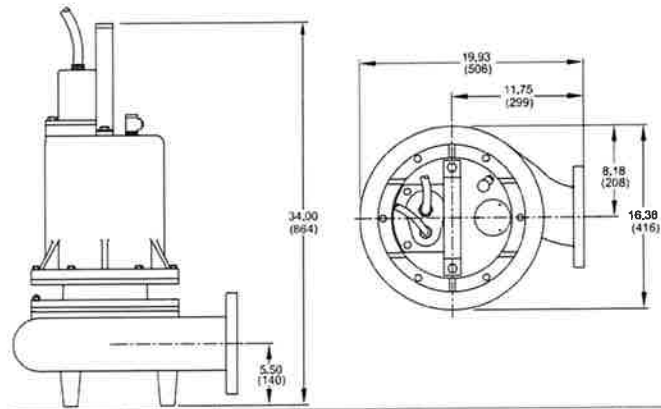
	Pump HP	Impeller Dia in. (mm)
→	4.5	165 (6.50)
	7.5	178 (7.00)
	11.3	203 (8.00)
	15.0	216 (8.50)

Model Information



PUMP MODEL NUMBER	4SE4524L	4SE4564L	4SE4534L	4SE4544L	4SE4554L
PART NUMBER	084623	084624	084625	084626	089306
HP	4.5	4.5	4.5	4.5	4.5
VOLTAGE/PHASE	230/1	200/3	230/3	460/3	575/3
HZ	60	60	60	60	60
RPM (NOMINAL)	1750	1750	1750	1750	1750
NEMA START CODE	A	C	E	E	E
FULL LOAD AMPS	26	20.9	18.2	9.1	7.2
LOCKED ROTOR AMPS	59	48.6	56	28	22.4
CORD SIZE	10/4	10/4	10/4	10/4	10/4
CORD TYPE	SOW	SOW	SOW	SOW	SOW
CORD O.D INCH (MM)	0.750 (19.1)	0.750 (19.1)	0.750 (19.1)	0.750 (19.1)	0.750 (19.1)

Drawing



 All dimensions are in inches (mm)

Product Resources

I&O Manual

Horizontal Break Away Fittings	Intermediate Rail Supports
Capacitor/Relay Packs	BAF-4 Movable Fitting
Pump Monitor Relay	BAF-E4 Movable Fitting
Close Adapter	Cable Rack for Level Controls
Flygt Adapter	Ball Check Valve
Lifting Chain	Control Floats

Marketing Resources

Brochure



MISSOURI MACHINERY & ENGINEERING CO.
 4981 FYLER AVE., ST. LOUIS, MO 63139 (314) 231-9806

Ship To: SUBLETT EXCAVATING
 ATTN: ACCOUNTS PAYABLE
 5885 ROWLAND RD.
 HARRISBURG, MO 65256

Invoice To: SUBLETT EXCAVATING
 ATTN: ACCOUNTS PAYABLE
 5885 ROWLAND RD.
 HARRISBURG MO 65256

Attention: KEVIN SUBLETT

Branch ST. LOUIS		
Date 05/21/26	Time 09:04:38 (O)	Page 01
Account No SU5703	Phone No 5738819917	Inv No W06702
Ship Via CUSTOMER PICKUP	Purchase Order N/A	
Tax ID No		
		Salesperson CMR / JPR

SERVICE PRELIMINARY

STK#/FLEET#	HRS	PIN/EIN	WARRANTY DATE	HRS
003248	BARNES 084622	X 11140123		
	4SE4524L			
***** UNIT DESCRIPTION *****				
* MISCBASE	BARNES 084622			*

SEGMENT# 1 5 DYLAN NA 05/19/26 05/19/26

.

 CUSTOMER WOULD LIKE PUMP TO HAVE NEW 30 FT CABLE INSTALLED,
 NO SPLICE. PLUS TEST AFTER.

 REPOTTED, TESTED, MEGS AT 5, CUSTOMER WAS MADE AWARE.
 CUSTOMER IS LOOKING AT PURCHASING A NEW PUMP SOON.

 PARTS, LABOR, AND DELIVERY TOTAL \$1300.00. ***PRICE DOES NOT
 INCLUDE TAX.

X

Authorized By

Thank You For Your Business!